



THE PENMAN
COLLECTION

1ST EDITION 2023 - 2024



CONTENTS

MANTELS

| | |
|--------------------------------|----|
| Allora Lilac Marble | 10 |
| Allora Nero Marble | 12 |
| Arlington Portuguese Limestone | 14 |
| Avellino Agean Limestone | 16 |
| Aversa Agean Limestone | 18 |
| Aversa 51 Agean Limestone | 20 |
| Aversa Clara Pura | 22 |
| Aversa Kallos Marble | 24 |
| Beaufort Iberian Limestone | 26 |
| Catalan Combination Cast | 28 |
| Cortese Agean Limestone | 30 |
| Delamere Portuguese Limestone | 32 |
| Hadley Agean Limestone | 34 |
| Milbrooke Agean Limestone | 36 |
| Monza Portuguese Limestone | 38 |
| New Haven Portuguese Limestone | 40 |
| Palmerston Cast Iron | 42 |
| Tavira Iberian Limestone | 44 |
| Teramo Agean Limestone | 46 |
| Trinity Combination Cast | 48 |
| Velletri Agean Limestone | 50 |
| Velletri 51 Agean Limestone | 52 |
| Velletri Clara Pura | 54 |
| Velletri Persian Limestone | 56 |

FIRE BASKETS

| | |
|-------------|----|
| Elan | 60 |
| Victorian | 62 |
| Livingstone | 64 |
| Seville | 66 |

CAST INSERTS

| | |
|------------|----|
| Arden | 70 |
| Devonshire | 72 |
| Falkirk | 74 |
| Opus | 76 |
| Stirling | 78 |

| | |
|-------------------------|----|
| 60CF BALANCED FLUE FIRE | 80 |
|-------------------------|----|

STOVES

| | |
|------------------------------|-----|
| Avebury Multifuel | 86 |
| Avebury Gas | 88 |
| Bassington Eco Multifuel | 90 |
| Bassington Eco Gas | 92 |
| Bassington Electric | 94 |
| Bassington Compact Multifuel | 96 |
| Bassington Compact Gas | 98 |
| Kirkham Multifuel | 100 |
| Kirkham Gas | 102 |
| Kirkham Eco Max | 104 |
| Aurus Wood Burning | 106 |
| Kassel Wood Burning | 108 |
| Lunen Wood Burning | 110 |
| Panamera Multifuel | 112 |
| Savona Inset Stove | 114 |
| Vega Edge 200SL Multifuel | 116 |
| Vega B7/C7 Gas Stove | 118 |

CHAMBERS

| | |
|------------------|-----|
| Chambers | 122 |
| Chamber Trim Kit | 125 |
| Tiles | 126 |

| | |
|----------|-----|
| HEARTHES | 128 |
|----------|-----|

| | |
|-------|-----|
| BEAMS | 132 |
|-------|-----|

TECHNICAL INFORMATION

| | |
|---------------------------------|-----|
| Chimney Types | 136 |
| Mantel Information | 137 |
| Inserts, Fascias & Combinations | 138 |
| Fire Baskets | 140 |
| 60CF Dimensions | 140 |
| Stove Information | 141 |
| Stove Dimensions | 142 |
| Aftercare & Maintenance | 146 |
| General | 148 |
| Installation | 151 |

TRANSFORMING HOMES

A fireplace has the ability to transform any room. It becomes a symbol of security, contentment, and warmth. The Penman Collection presents a clearly distinctive range of fireplaces, stoves, and accessories that combines investment in design with quality materials and expert craftsmanship.

By taking inspiration from classical design themes and infusing this with contemporary design principles, we have created a variety of beautifully crafted products that will make a statement of enduring elegance in any room. Our fireplaces are available in a variety of materials and finishes that can be fitted with an extensive selection of fires which include options suitable for all chimney types.

All the stoves featured in the Penman Collection are Ecodesign Ready and the collection also includes a range of higher performing cast iron fireplaces. By utilising innovative manufacturing techniques, these products allow the use of some extremely efficient glass fronted and open fronted gas convector fires with more traditionally styled cast iron fireplaces.

The Penman Collection is available exclusively in the UK & Ireland with the help of our carefully selected network of retailers. For details of your nearest retailers, visit www.penmancollection.com

Pictured: Bassington Gas Stove with the Baseline Leg Option. Please see page 92 for details.





MANTELS

The Penman Collection is built on over 70 years of experience in the fireplace industry creating luxury, stylish and functional products. Crafted from beautiful natural stone, thousands of years in creation, sourced from our quarries across the globe.

Our focus is not simply on what we make but how we make it. We pride ourselves on our quality craftsmanship, and with a team of expertly skilled staff, we only deliver the highest levels of customer service. Our aim is to provide a product of true beauty that will perform perfectly and last for many years.

The collection brings together a variety of beautiful fireplaces available in a variety of premium materials, lovingly hand crafted using traditional methods ensuring years of enjoyment from your fireplace.







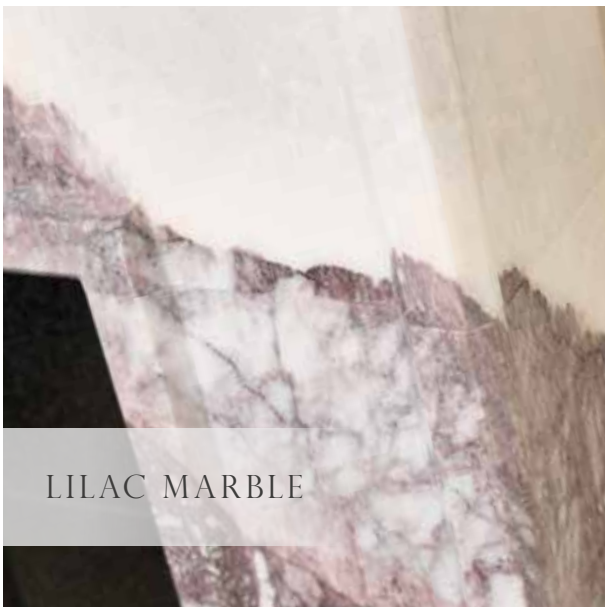
AGEAN
LIMESTONE

This natural, sedimentary limestone formed over 50 million years ago is cut straight from the earth. Agean limestone is a much whiter limestone with a consistent pattern throughout its surface including a soft, speckled grain characteristic of this popular and extremely hard wearing stone. This versatile material works well in a variety of settings.



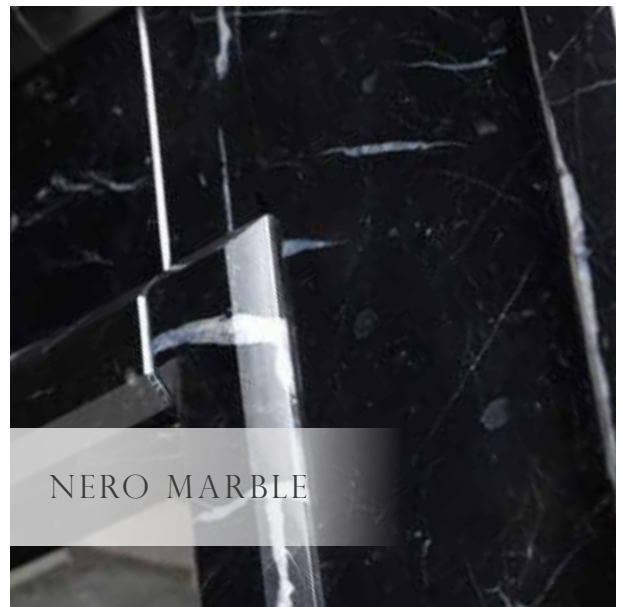
KALLOS MARBLE

This irresistible Greek marble is a modern alternative to the timeless Carrara marble. A type of natural Volakas marble, with a fresh white base tone, subtly contrasted with soft grey diagonal veining to provide an alluring sense of depth.



LILAC MARBLE

The striking aesthetic of this distinctive material is marked by its uniqueness. It extrudes exclusivity with a truly distinctive veining pattern that ensures no two are ever the same. Lilac is a chic white marble characterised by heavy, violet blue veining.



NERO MARBLE

The striking aesthetic of this distinctive material is marked by its uniqueness. It extrudes exclusivity with a distinctive unique veining pattern that ensures no two are ever the same. Nero offers a fully inverted appearance with an abundance of white veining against a deep black marble.



CLARA PURA
MARBLE

Clara Pura natural white marble offers a brilliant, clear and classic aesthetic, featuring exquisite detail that is rarely seen in fireplaces of this material. This is a testament to the skills of the craftsmen who are making these products with great care and attention.



IBERIAN
LIMESTONE

Iberian Limestone is a natural stone known for its endurance and versatility. Its sand coloured appearance and fine texture, combined with the subtle flowing swirls and grains offers an appearance that is perfect for creating a truly unique fireplace. The neutral, earthy tones are reassuringly warming and offer an enticing contrast to materials such as cast iron stoves.



PERSIAN
LIMESTONE

Persian Limestone, a darker, grey toned version of the much loved Agean Limestone has the rare feature of appealing to both traditional and contemporary tastes. Whether creating a bold mantel centrepiece or adding some flair to a modern architectural piece, this unique material is guaranteed to catch the eye.



PORTUGUESE
LIMESTONE

This natural, sedimentary limestone formed over 50 million years ago is cut straight from the earth. Portuguese Limestone features characteristic darker veins on a light background, intermingled with fossils of plants and animal life, all adding to the beauty and individuality of this enduring material.



ALLORA

51" Mantel | Lilac Marble



The Allora mantel has been designed exclusively to showcase the eye-catching, natural beauty of this exciting new statement material. The Lilac option is a chic white marble characterised by heavy, violet blue veining.

The striking aesthetic of this distinctive material is marked by uniqueness. Every Allora mantel exudes exclusivity with a truly unique veining pattern that ensures no two are ever the same. Demonstrating decades of manufacturing excellence, careful consideration has been taken to ensure alignment of the inimitable veining patterns across each component, creating a sense of continuity that conveys affluence and luxury.

Other examples of how the unique veining differs please see pages 61, 76 and 81.

Stove: Bassington Compact Gas with Skirted Leg Option, Hearth: Honed Granite, Chamber: Porcelain Slate Brick Bond



ALLORA

51" Mantel | Nero Marble



The Allora mantel has been designed exclusively to showcase the eye-catching, natural beauty of this exciting new statement material. Nero offers a fully inverted appearance with an abundance of white veining against a deep black marble.

The striking aesthetic of this distinctive material is marked by uniqueness. Every Allora mantel exudes exclusivity with a truly unique veining pattern that ensures no two are ever the same. Demonstrating decades of manufacturing excellence, careful consideration has been taken to ensure alignment of the inimitable veining patterns across each component, creating a sense of continuity that conveys affluence and luxury.

Also available in Lilac Marble please see page 10.



ARLINGTON

52" Mantel | Portuguese Limestone



With strong, bold lines and a carved, curved profile, the Arlington suggests a bold aesthetic that perfectly frames the flickering movement of any fire.

Shown here with the Stirling Cast Insert in Highlight Finish. Please see page 78 for details.



AVELLINO

57" Mantel | Agean Limestone



The Avellino, with its sumptuous curves and bold profiles, takes full advantage of the natural beauty of Agean limestone, creating dramatic shadows and highlights.

Shown here with the Bassington Gas Stove. Please see page 92 for details.

Stove: Bassington Gas Stove with Skirted Leg Option in Warm White, Chamber: Dove Grey, Hearth: Agean Limestone



AVERSA
58" Mantel | Agean Limestone



The Aversa is influenced by early Georgian design principles, paying close attention to lines and proportions to create a strong, yet elegant frame.

Accompanied here by the 60CF appliance. Please see page 80 for details.



AVERSA 51
51" Mantel | Agean Limestone



Inspired by its larger namesake, the Aversa 51 follows all of the design principles and maintains the classic balance of the standard Aversa mantel but offers a more compact form.

Pictured here with the Bassington Compact Multifuel Stove with Standard Leg Option. For details please see page 96.

Stove: Bassington Compact Multifuel Stove with Standard Leg Option, Hearth: Honed Granite, Chamber: Navarra



AVERSA PURA
58" Mantel | Clara Pura Marble



Carved from exquisite pure natural marble, this pristine material is an obvious choice for luxurious and sophisticated indulgence.

The Aversa Mantel is influenced by early Georgian design principles, paying close attention to lines and proportions to create a strong, yet elegant frame.

Pictured with the Kirkham Max, please see page 104 for details.



AVERSA

58" Mantel | *Kallos Marble*



The Aversa is influenced by early Georgian design principles, paying close attention to lines and proportions to create a strong, yet elegant frame. This beautiful mantel is carved from a type of natural Volakas marble. This irresistible Greek marble with a fresh white base tone, subtly contrasted with soft grey diagonal veining to provide an alluring sense of depth.

Pictured with the Falkirk Cast Insert, please see page 74 for details.



BEAUFORT

57" Mantel | Iberian Limestone



This Tudor inspired mantel features oversized legs to create an impressive bold extravagance and give a unique sense of depth to this timeless design which exudes a strong yet elegant presence.

Accompanied with the Bassington Multifuel Stove with the Baseline Leg Option in Warm White enamel finish. Please see page 90 for details.

Stove: Bassington Stove in Warm White with Baseline Leg Option, Hearth: Iberian Limestone, Chamber: Olive Slate Waterfall



CATALAN

36" Combination Cast | Combination



The Catalan features a simplistic design, its straight-lined framing offering a classic appearance that would be suitable to any home. Due to its size and design it is an ideal choice for a bedroom or in smaller rooms of a household. The Catalan is available in a choice of polished or black finishes.



CORTESE

56" Mantel | Agean Limestone



Perfectly proportioned, simple and elegant, the Cortese in Agean limestone will add an intentionally understated beauty to any room.

The mantel header and shelf can also be removed, please see page 100 for details. The linear lines of the mantel create the perfect frame for the Falkirk Arched Cast Iron Insert, shown here with a solid fuel fire, please see page 74 for details.



DELAMERE

54" Mantel | Portuguese Limestone



The simple elegance of this Tudor styled mantel shows off the delicate symmetry and styling. The majestic arch allows for optimum admiration of this grand limestone mantel.

Accompanied here by the Vega 200SL. This Ecodesign Ready stove is approved for burning wood in smoke controlled areas. The Vega Edge 200SL is also available in Warm White Enamel. See page 116 for details.



HADLEY

56" Mantel | Agean Limestone



This Georgian inspired mantel is exquisitely carved, with a delicately designed shelf and bold central plaque. Bringing a sense of harmony and symmetry, the Hadley is sure to be the focal point of any room.

Accompanied with the Bassington Eco Multifuel Stove with Skirted Leg Option. Please see page 90 for details.

Stove: Bassington Multifuel Stove in Black Finish with Skirted Leg Option, Chamber: Porcelain Slate Brick Bond, Hearth: Star Tiled Hearth



MILBROOKE

56" Mantel | Agean Limestone



The Milbrooke is an ideal choice for period or modern settings alike. With a Georgian-style influence, the Milbrooke mantel has a finely carved shelf and bold central plaque, certain to be the focal point of any room.

Pictured with the Falkirk Cast Insert which is inspired by late Victorian fireplaces, with its exquisite detailing it will add a sense of style to any home. For more details please see page 74.



MONZA

54" Mantel | Portuguese Limestone



Crafted from natural Portuguese Limestone, the strong purposeful curves of the mantel provide a beautiful contrasting frame for the bold linear design of the stainless steel plate.

Shown here with the Avebury Multifuel Stove, please see page 86 for details



NEW HAVEN
48" Mantel | Portuguese Limestone



Demonstrating expert craftsmanship, the strong lines of the New Haven are softened by the large, oversized 'cushion' profile of the inner arch.

Shown here with the elegantly styled Savona Inset stove. Although this may look like an ordinary fireplace, it's a full depth stove with an opening door and ample room to burn logs. Alternative 4 Sided Trim available. Please see page 114 for details.



PALMERSTON

48" Mantel | Cast Iron



The Palmerston features a large, chunky mantel top and recessed, curved square arch which works fantastically well with cast iron inserts but also makes a surprising style statement with stoves.

Pictured here with the Bassington Compact Multifuel Stove with the Baseline Leg Option. Please see page 96 for more details.

Stove: Bassington Compact Multifuel Stove with Baseline Leg Option, Chamber: Reeded Chamber Panel, Hearth: Granite



TAVIRA

57" Mantel | Iberian Limestone



The Tavira exemplifies the highest levels of craftsmanship. With its minimalist design it delightfully compliments both modern and traditional interiors. Every aspect is exquisitely carved to exceed the highest expectations.

Accompanied here by the TL60CF appliance. Please see page 80 for details.



TERAMO

57" Mantel | Agean Limestone



With strong, purposeful lines and an overstated heavy shelf, the Teramo suggests a bold aesthetic that perfectly frames the flickering movement of a live fire.

Featured with the Avebury Ecodesign Ready Stove. The large arched glass window of the Avebury stove in combination with the air wash system ensures maximum viewing of the roaring flames. Please see page 86 for details.



TRINITY

48" Combination Cast | Cast Iron



Inspired by Victorian fireplace design, the Trinity features an eye-catching intricate design in each corner above the arched detail of the fire. Available in black or polished finishes, this combination cast can be used with electric, gas or solid fuel fire options.



VELLETRI

57" Mantel | Agean Limestone



The Velletri takes its design cues from the classical and naturalist influences of the Victorian period. Simple yet elegant detailing alongside well considered proportions.

Accompanied here by the 60CF appliance. Please see page 80 for details.



VELLETRI 51

51" Mantel | Agean Limestone



Inspired by its larger namesake, the Velletri 51 follows all of the design principles and maintains the classic balance of the standard Velletri mantel but offers a more compact form.

Pictured with the Kirkham Multifuel Stove. Please see page 100 for details.



VELLETRI

57" Mantel | Clara Pura Marble



Carved entirely in exquisite pure natural marble, this pristine material is an obvious choice for luxurious and sophisticated indulgence.

The Velletri takes its design cues from the classical and naturalist influences of the Victorian period. Simple yet elegant detailing alongside well considered proportions.

Shown here with the Falkirk Cast Iron insert in Black Finish. Please see page 74 for details.



VELLETRI

57" Mantel | Persian Limestone



The Velletri takes its design cues from the classical and naturalist influences of the Victorian period. Exquisitely crafted from Persian Limestone, this darker, grey toned version of the much loved Agean Limestone has the rare feature of appealing to both traditional and contemporary tastes. Whether creating a bold mantel centrepiece or adding some flair to a modern architectural piece, this unique material is guaranteed to catch the eye.

Pictured with the Arden Cast Iron Insert. This striking cast has detailed embellishments extending across the arch detail. For more details please see page 70.

FIRE BASKETS

Fire baskets bring a real feeling of warmth and glow to any room. The Penman Collection offers a range of eye-catching fire baskets in a number of finishes, from the sleek modern lines of the Elan or real traditional statement baskets such as the Livingstone.







ELAN

Fire Basket | Available in Stainless Steel & Black Finishes



With its timeless design, the Elan fire basket will complement a wide variety of homes and interiors. This traditional fire basket is tempered with modern touches. The addition of the sphere dogs offers a sophisticated style and casual appeal. The basket is available in black or stainless steel and gives you a selection of fire options to choose from.

The Elan is pictured with the Allora mantel in Lilac marble this chic white marble is characterised by heavy, violet blue veining for details please see pages 10, 76, and 81.



VICTORIAN

Fire Basket | Available in Black & Highlight Finishes



The exquisitely detailed Victorian basket will give any living room a vintage flair. When combined with one of our wide range of mantels, this versatile fire basket can create a unique focal point in both modern or traditional environments. The basket is available in black or stainless steel and gives you a selection of fire options to choose from.

Accompanied here with the Teramo mantel in Agean Limestone. Please see page 46 for details.



LIVINGSTONE

Fire Basket | Available in Antique Brass & Highlight Finishes



The Livingstone fire basket is inspired by traditional 18th century fireplaces, with ubiquitous, curving cabriole legs, finials and a delicately decorated back panel. You can create a unique modern look with traditional influence when combined with any of our fireplace mantels.

Pictured with the Delamere mantel. Please see page 32 for details.



SEVILLE

Fire Basket | Available in Black Finish



The Seville Cast Iron fire basket is inspired by traditional Spanish design. It features cabriole legs, curved ribs and a removable back plate. The Seville basket is available for burning wood, coal and smokeless fuels. A gas version is also available.

Pictured with the Beaufort mantel, please see page 26 for details.

CAST IRON INSERTS

Our cast iron inserts can certainly add a sense of tradition and grandeur to any room. All of our inserts are manufactured to the highest standard of quality with skilled craftsmanship.

The Penman Collection offers traditional arched inserts along with tiled inserts. They are perfect whether you have a traditional Victorian property or simply want to recreate that aesthetic in a more modern home. Our cast iron tiled fireplaces are available with various fuel sources, including gas, solid fuel and electric fire options.

The Higher Performing Falkirk and Stirling are design led appliances that use innovative, patented technology allowing the combination of traditional insert styling with modern gas fire efficiency. The result is one of the most authentic looking products of its type and boasts efficiencies of up to 74%.







ARDEN

*Cast Iron Arched Insert | Available in Highlight
& Traditional Graphite Finishes*



Arden Cast Iron Insert will take pride of place within any home. Available in a choice of black or highlighted finishes to give you the option to burn several types of fuel such as wood, coal or gas.

Shown with the Hadley mantel in Agean limestone. Please see page 34 for details.



DEVONSHIRE

*Cast Iron Tiled Insert | Available in Full Polished
& Black Finishes*



The Devonshire Tiled Cast Insert is beautifully crafted and perfect for any home. Whether you choose the all black or the sleek full polished version, you can customise the insert with the choice of beautiful and unique tiles.

Shown with the 58" Aversa mantel in Agean limestone. Please see page 18 for details.



FALKIRK

*Cast Iron Arched Insert | Available in Black, Highlight
& Higher Performing options*



This stunning cast iron insert will add a sense of tradition and grandeur to any room. It is the perfect choice for recreating an authentic Victorian fireplace. Featuring the higher performing model. This design led appliance uses innovative, patented technology allowing the combination of traditional insert styling with modern gas fire efficiency. The result is one of the most authentic looking products of its type and boasts efficiencies of up to 74%.

Pictured with the Monza in Portuguese Limestone, please see page 38 for details.



OPUS

*Cast Iron Arched Insert | Available in Highlight
& Polished Finishes*



This stunning cast iron insert features a large arched opening for a perfect view of the fire. This cast is influenced by traditional Georgian style, its classical features will effortlessly fit in with a variety of decorating styles.

Shown with the Allora in Lilac Marble. Please see pages 10, 61, and 81 for details.



STIRLING

*Stirling Higher Performing Cast Insert | Available in Highlight
& Polished Finishes*



This higher performing cast inspired by mid Victorian fireplaces features a simple arched opening for a perfect view of the fire. This cast's graceful, and delicate appearance will fit effortlessly with a variety of home decor styles.

This design led appliance uses innovative, patented technology allowing the combination of traditional insert styling with modern gas fire efficiency. The result is one of the most authentic looking products of its type and boasts efficiencies of up to 74%.

Shown with the beautiful Cortese mantel. Please see page 30 for details.



60CF

Conventional Flue Gas Appliance



The 60CF appliance offers an output of up to 5.1kW and boasts efficiencies of 72%. This large glass-fronted fire allows an unrestricted view of the unrivalled realistic fuel bed and beautiful flames. The 60CF will fit perfectly with virtually all interiors.

Pictured with the Allora in Lilac marble, please see pages 10, 61, and 76.

STOVES

The Penman Collection boasts an impressive range of stoves in a variety of fuel options such as wood, multifuel and gas. As well as featuring popular favourites such as the Avebury, Kassel and the Vega, it is also home of the Bassington Stove voted the Number 1 Eco Stove by The Telegraph. Our stoves offer a truly comprehensive choice for all tastes and functions.

Every stove in the Penman Collection has been expertly designed by our team of specialised designers, engineers and produced with expert craftsmanship and quality materials. Whether it's cast iron or steel, each appliance is independently assessed and tested by an accredited association to ensure you will have years of satisfaction with your purchase. All our Ecodesign Ready Stoves come with a lifetime guarantee*

Our stoves are only available through carefully selected retailers throughout the UK & Ireland. They are available to offer help and advice about choosing the right stove for you.

Pictured right: Bassington Multifuel Stove with the Standard Leg Option. Please see page 94 for details.

To locate your nearest Penman Collection dealer, please visit our website at: www.penmancollection.com/find-a-retailer/

*Subject to terms and conditions please see: www.penmancollection.com for details







READY TO BURN

Whilst we continue to develop new and enhanced products to improve efficiency and clean burning, it is the critical issue of wood fuel that plays the biggest role in the air quality solution.

Burning wet wood is inefficient as it demands a lot of heat to vaporise the water before the appliance can give out the proper level of heat to the room, hot water, or heating systems. In turn, this creates a lot of smoke which damages the chimney, blackens the appliance, and contributes to air pollution. Dry wood that has been properly sourced and seasoned means it produces fewer particulates, more heat efficiency, and less maintenance. Chimneys are less likely to block and will remain easier to sweep.

The government-backed Ready to Burn scheme is compliant with EU timber regulations and will set a benchmark for logs and other wood fuels in the UK to help with identifying wood that has been carefully chosen and ready to burn.

For more details and to find your nearest stockist visit:
www.woodsure.co.uk/are-you-ready-to-burn



ECODESIGN READY STOVES AND AIR QUALITY

Ecodesign Ready Stoves in accordance with the Governments clean air strategy are designed to reduce emissions by burning wood more efficiently taking into account the long-term environmental impact of the appliance during its whole lifecycle.

Only appliances that have been tested and verified as meeting these new limits will be able to be sold and installed legally within the UK.

The emission limits include those for Particulate Matter (PM), Organic Gaseous Compounds (OGC), Carbon Monoxide (CO) and Nitrogen Oxides (NOx).

SIA Ecodesign Ready stoves will meet the new regulation which came into force in January 2022. All of the stoves featured in the Penman Collection are Ecodesign Ready, pledging our support to a greener sustainable future in order to further reduce the impact of climate change.



CLEAN BURN

In parts of the UK the burning of smoke producing fuels is prohibited by the Clean Air Act.

We have a comprehensive range of stoves approved for use in smoke controlled areas, allowing them to burn wood and smokeless fuels in any part of the country.





AVEBURY

Multifuel Stove



ECODESIGN
READY



SUITABLE
FOR SMOKE
CONTROLLED
AREAS



MULTIFUEL
STOVE



LIFETIME
WARRANTY

A+

The highly efficient Avebury stove is Ecodesign Ready. It is extremely durable due to its cast iron construction which also helps to maximise efficiency. The large arched glass window in combination with the air wash system ensures maximum viewing of the roaring flames. This stove is suitable for use in smoke controlled areas when burning wood or smokeless fuels and meets the 2022 Ecodesign criteria.

Shown with the Teramo in Agean Limestone. Please see page 46 for details.

NOMINAL OUTPUT & RANGE: 5.0kW (2.5kW-8.0kW)
EFFICIENCY: Up to 84%

Mantel: Teramo in Agean Limestone, Chamber: Grey Ceramic Brick Bond, Hearth: Cube Tiled



AVEBURY

Gas Stove



GAS STOVE

Remote

D

Manual

E

Building on the success of the Avebury Multifuel stove, the Avebury Gas has been designed and manufactured in the UK and offers an ultra-realistic ceramic log fuel bed, available in either manual or remote control in both natural gas and LPG options.

NOMINAL OUTPUT & RANGE: Natural Gas 4.7kW / LPG 4.4kW

EFFICIENCY: Up to 79%



BASSINGTON

Multifuel Stove | Available in Black (with Grande, Skirted, Baseline or Standard Legs) and Warm White (with Skirted, Baseline or Standard Legs)



*Shown with Standard Leg Option
in Warm White*



*Shown with Baseline Leg Option
in Warm White*



*Shown with Skirted Leg Option
in Warm White*



*Shown with Standard Leg Option
in Black*



*Shown with Baseline Leg Option
in Black*



*Shown with Skirted Leg Option
in Black*



ECODESIGN
READY



SUITABLE
FOR SMOKE
CONTROLLED
AREAS



MULTIFUEL
STOVE



LIFETIME
WARRANTY

A+

Not only is the Bassington one of the cleanest burning stoves on the market, it is designed to offer three different leg options allowing you to tailor make the perfect stove to suit your taste. Please see the following pages for examples of the various leg options: Standard on page 83, Skirted on page 34, and Baseline on page 26.

The Bassington stove is Ecodesign Ready and is suitable for use in smoke controlled areas when burning wood or smokeless fuels.

NOMINAL OUTPUT & RANGE: 5.0kW (2.5kW-8.0kW)
EFFICIENCY: 84%

Shown with Grande Leg Option



Shown with Standard Leg Option in White



Shown with Baseline Leg Option in White



Shown with Skirted Leg Option in White



Shown with Standard Leg Option in Black



Shown with Baseline Leg Option in Black



Shown with Skirted Leg Option in Black



D

Remote

E

Manual



GAS STOVE

BASSINGTON

Gas Stove | Available in Black or Warm White (with either Skirted, Baseline or Standard Legs)



Building on the success of the Bassington Multifuel stove, the Bassington Gas has been designed and manufactured in the UK and offers an ultra-realistic ceramic log fuel bed, available in either manual or remote control in both natural gas and LPG options. The new Bassington Gas stove is available in black or warm white enamel with the choice of three leg options. Please see the following pages for examples of the various leg options: Standard shown above, Skirted on page 16, and Baseline on page 3.

The Bassington Gas is one of the most realistic gas stoves on the market, it has been designed by our team of specialist designers and engineers and produced with expert craftsmanship with quality materials and independently assessed and tested in the UK by Kiwa Gastec.

OUTPUT: NATURAL GAS 4.9kW / LPG 4.4kW EFFICIENCY: 79%

Main Image: Bassington Gas Stove Black with Standard Leg Option, Chamber: Staggered Oyster Slate, Hearth: Diamond Quarry Black & Red, Beam: Dark Geocast featuring Small Decorative Brackets



BASSINGTON E-STOVE

Electric Stove | Available in Black



Features:

- Realistic flame effect that can be operated with or without heat function.
- Dynamic fuel bed featuring realistic logs.
- Easy to use remote control handset.
- Easy to use App, controlled via your smart device.
- 9 flame effect colour options.
- 9 fuel bed colour options.
- 'Favourite' mode to save your preferred flame/fuel bed settings.
- 2 heat settings - 0.9kW & 1.8kW.
- Cool blow function.
- Thermostatic control.
- Hourly timer mode.
- 7-day programmable timer with adaptive smart heating.
- Open window detection mode for optimised energy efficiency.
- Option for ambient Chamber lighting kit.
- Concealed heater position.
- Cast Aluminium components for authentic feel.
- Eco Button

The Bassington-E uses cutting edge technology and innovation to provide instant heat, realistic flames, and adaptive ambiance to your living space to bring you the most authentic electric stove available on the market.

Combining functionality with applied smart technology to create the ultimate home heating experience. With a Bassington-E electric stove, you are in control of every aspect of your appliance, from the speed, colour, and brightness of the entrancing flames to the enchanting crackling sounds of burning logs, or the complementing ambient lighting of your extended living space.

Coppice Real Log upgrade available on this appliance the definitive upgrade for your Bassington Electric Stove. Offering the ultimate in realism, this hand-crafted piece uses specially selected, natural logs to create an authentic latticed fuel bed, complete with forest floor embers.



*Shown with Standard Leg Option
in Black*



*Shown with Skirted Leg Option
in Black*



*Shown with Baseline Leg Option in
Black*



A+



ECODESIGN
READY



SUITABLE
FOR SMOKE
CONTROLLED
AREAS



MULTIFUEL
STOVE



LIFETIME
WARRANTY

BASSINGTON COMPACT

Multifuel | Available in Black (with Skirted, Baseline or Standard Legs)



The Bassington Compact takes all the styling cues from the Bassington Eco boasting all the same features. Combining stunning design with the latest in emission-reducing technology, to create one of the cleanest burning stoves available. Not only is the Bassington Compact one of the cleanest burning stoves on the market, but it is also designed to offer three different leg options allowing you to tailor make the perfect stove to suit your taste.

Please see the following pages to see examples of the various leg options: Skirted shown above, Baseline on page 42, and Standard on page 21.

NOMINAL OUTPUT & RANGE: 5kW

EFFICIENCY: Up to 82.5%

Mantel: Avellino in Agean Limestone, Chamber: Porcelain Slate Brick Bond, Hearth: Diamond Quarry, Slip Set: Honed Granite



BASSINGTON COMPACT

Gas Stove | Available in Black (with Skirted or Standard Legs)



Shown with Standard Leg Option



Shown with Skirted Leg Option



D

Building on the success of the Bassington Compact Multifuel stove, the Bassington Compact Gas has been designed and manufactured in the UK and offers an ultra-realistic ceramic log fuel bed, available in either manual or remote control in both natural gas and LPG options.

The Bassington Gas is one of the most realistic gas stoves on the market, it has been designed by our team of specialist designers and engineers and produced with expert craftsmanship with quality materials and independently assessed and tested in the UK by Kiwa Gastec. The Bassington Compact Gas stove is available with the choice of two leg options; Standard and Skirted. Please see page 10 for an example of the Skirted Leg Option.

NOMINAL OUTPUT & RANGE: Natural Gas 3.8kW / LPG 3.75kW EFFICIENCY: Up to 81%

Stove: Bassington Compact Gas with Standard Legs, Hearth: Tapestry, Chamber: Navarra. Beam: Dark Oak Effect Beam



KIRKHAM

Multifuel Stove



ECODESIGN
READY



SUITABLE
FOR SMOKE
CONTROLLED
AREAS



MULTIFUEL
STOVE



LIFETIME
WARRANTY

A+

The Kirkham combines stunning design with the latest in emission-reducing technology, to create one of the cleanest burning stoves available. Whilst innovative engineering has ensured emission levels that are far below Ecodesign 2022 requirements, particular attention to aesthetic detail has resulted in a timeless classic that is built for modern living.

NOMINAL OUTPUT & RANGE: 5.0kW
EFFICIENCY: Up to 82.5%

Mantel: Cortese Agean Limestone (with mantel header and shelf removed), Chamber: Staggered Black Slate, Hearth: Natural Slate



KIRKHAM

Gas Stove



GAS STOVE

D

The Kirkham Gas stove has been designed and manufactured in the UK and offers an ultra-realistic ceramic log fuel bed, available in either manual or remote control in both natural gas and LPG options.

The Kirkham Gas is one of the most realistic gas stoves on the market, it has been designed by our team of specialist designers and engineers and produced with expert craftsmanship with quality materials and independently assessed and tested in the UK by Kiwa Gastec.

NOMINAL OUTPUT & RANGE: Natural Gas 3.8kW / LPG 3.75kW
EFFICIENCY: 81%

Mantel: Allora in Nero Marble, Chamber: Dove Grey, Hearth: Natural Slate



KIRKHAM ECO MAX

Multifuel Stove



ECODESIGN
READY



SUITABLE
FOR SMOKE
CONTROLLED
AREAS



MULTIFUEL
STOVE



LIFETIME
WARRANTY

A+

With an output of up to 5kW, the Kirkham Eco Max takes all the styling cues from the smaller Kirkham Eco to create this impressive mid-size stove. It boasts all the same innovative features such as the oversized viewing window, responsive controls, double-pass baffle system and a unique heat exchange system that preheats the air to allow for cleaner burning. This stove is suitable for use in smoke-controlled areas when burning wood or smokeless fuels. Shown here the Aversa is influenced by early Georgian design principles, paying close attention to lines and proportions to create a strong, yet elegant frame. For details please see page 22.



AURUS

Cylindrical Wood Burning Stove



ECODESIGN
READY

A+

Designed with German engineering and expertise. Featuring a brushed vertical handle running the height of the door, this stove sets itself apart from the crowd with detailing like no other.

OUTPUT: 5.0kW
EFFICIENCY: 82%



A+



ECODESIGN
READY



SUITABLE
FOR SMOKE
CONTROLLED
AREAS

KASSEL

Cylindrical Wood Burning Stove



Designed with German engineering and expertise, the Kassel sets itself apart from the crowd. The Kassel is a contemporary cylindrical wood burning stove which features a log storage area and a direct air supply.

OUTPUT: 5.0kW
EFFICIENCY: 80.5%

COMFORT CONTROL

Air control dial, unique to the Lünen model



A+



ECODESIGN
READY



SUITABLE
FOR SMOKE
CONTROLLED
AREAS

LUNEN

Cylindrical Wood Burning Stove



Designed with German engineering and expertise. With the brushed vertical handle running the height of the door, this stove sets itself apart from the crowd, with detailing like no other.

OUTPUT: 5.0kW
EFFICIENCY: 82%



A



ECODESIGN
READY



SUITABLE
FOR SMOKE
CONTROLLED
AREAS



MULTIFUEL
STOVE



LIFETIME
WARRANTY

PANAMERA

Multifuel Stove



The beautifully designed Panamera stove is Ecodesign Ready, and is suitable for use in smoke controlled areas when burning wood or smokeless fuels. The simple yet elegant design is ideal for contemporary interiors. The curved door profile adds a sense of sophistication to any home.

OUTPUT: Up To 4.8kW
EFFICIENCY: Up To 84%

*Right Image: Beam: Stone, Chamber: Lucena, Hearth: Porcelain Slate Tile, Stove: Panamera Multifuel,
Left Image: Stove: Panamera with optional log store, Hearth: Teardrop*



SAVONA INSET

Inset Stove



ECODESIGN
READY



SUITABLE
FOR SMOKE
CONTROLLED
AREAS



MULTIFUEL
STOVE



LIFETIME
WARRANTY

A+

This elegantly styled stove is capable of burning a wide variety of different fuels. Although this may look like an ordinary fireplace, it is a full depth stove with opening door and ample room to burn logs.

This stove is suitable for use in smoke controlled areas when burning wood or smokeless fuels and meets the 2022 Ecodesign criteria. Please see page 41 to view the alternative 3 Sided Trim.

OUTPUT: Up To 4.8kW
EFFICIENCY: Up To 85%

*Main Image: Stove: Savona Inset Stove with 4 Sided Trim and thumbnail (right) shown with 3 Sided Trim,
Slip Set: Bespoke Polished Granite, Hearth: Polished Granite*



A+



ECODESIGN
READY



SUITABLE
FOR SMOKE
CONTROLLED
AREAS



MULTIFUEL
STOVE



LIFETIME
WARRANTY

VEGA EDGE 200SL

Multifuel Stove | Available in Black or Warm White



When you want to enjoy the presence of a large stove but may not have the room size to accommodate such a high heat output then the Vega Edge 200SL is perfect for you.

This stove maintains all of the impressive stature and features of the Vega Edge 200 but the reduced depth allows for a lower heat output of up to 8kW. This stove is suitable for use in smoke controlled areas when burning wood or smokeless fuels and meets the 2022 Ecodesign criteria. Pictured here in Warm White, also available in Black, please see page 32 for details.

NOMINAL OUTPUT & RANGE: 5.0kW (2.5kW-8.0kW)
EFFICIENCY: Up To 84%

VEGA B7 BALANCED FLUE:

| FUEL | GAS | LPG |
|------------|----------------------|------------------------|
| OUTPUT | UP TO 5.4KW | UP TO 5.2KW |
| EFFICIENCY | UP TO 75% | UP TO 68% |
| FLUE SIZE | 100-150MM CONCENTRIC | 100MM-150MM CONCENTRIC |
| FLUE EXIT | TOP | TOP |

B

VEGA C7 CONVENTIONAL FLUE:

| FUEL | GAS | LPG |
|------------|--------------|-------------|
| OUTPUT | UP TO 4.53KW | UP TO 4.7KW |
| EFFICIENCY | UP TO 65% | UP TO 68.6% |
| FLUE SIZE | 100MM | 100MM |
| FLUE EXIT | TOP | TOP |

D



VEGA B7/C7

*Gas Stove | Available in Balanced Flue
& Conventional Flue*





The Vega B7 and C7 gas stoves are ideal for installation into almost any type of home. Manufactured in high quality cast iron and utilising an efficient, remote controlled gas engine, this stove can be responsively controlled from the comfort of your armchair.

The high definition ceramic logs provide the perfect finish creating a truly authentic look. The B7 is a balanced flue stove meaning there is no requirement for a chimney.



CHAMBERS, HEARTHS & TILES

Our extensive range of chambers offer a very simple solution to create the perfect fireplace opening when installing your stove. With a variety of materials to choose from including natural stone and real bricks, there is certainly a chamber here to suit all tastes.





STEEL GREY BRICK BOND
CHAMBER



STEEL GREY HERRINGBONE
CHAMBER



ANDALUSIA CHAMBER



URBAN DUSK CHAMBER



URBAN DUSK HERRINGBONE
CHAMBER



SANTIAGO CHAMBER



ICED GREY CHAMBER



ICED GREY HERRINGBONE
CHAMBER



ZAMORA CHAMBER



HIGHLAND RED BRICK
BOND CHAMBER



HIGHLAND RED HERRINGBONE
CHAMBER



SORIA CHAMBER



NAVARRA CHAMBER



LUCENA CHAMBER



SLATE STAGGERED OYSTER
BLOCK CHAMBER



BLACK STAGGERED
SLATE BLOCK CHAMBER



GREY WHITE STAGGERED
SLATE CHAMBER



DOVE GREY CHAMBER



RUSTIC BRICK CHAMBER



RUSTIC HERRINGBONE
BRICK CHAMBER



RUSTIC BRICK CHAMBER
WITH FRONT RETURNS &
ARCH



RUSTIC BRICK CHAMBER
WITH FRONT RETURNS
(NO ARCH)



RUSTIC GREY BRICK
CHAMBER



OLIVE SLATE WATERFALL
CHAMBER



CHARCOAL SLATE
WATERFALL CHAMBER



PORCELAIN SLATE
BRICK BOND CHAMBER



PORTUGUESE LIMESTONE
BLOCK CHAMBER



VERMICULITE REEDED
CHAMBER

CHAMBER TRIM KIT

Our Chamber Trim Kit is a simple, elegant design to create a neat finish to any chamber installation. Simple to fix and the trim can be cut to size to fit any opening, available in black or stainless steel.



SLATE SPLIT FACE TILES



WHITE/GREY SPLIT FACE PANEL



BLACK SPLIT FACE PANEL



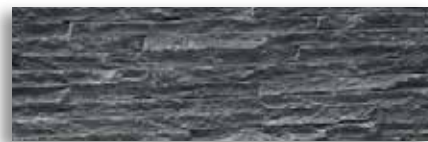
OYSTER SPLIT FACE PANEL



DOVE GREY SPLIT FACE PANEL



OLIVE WATERFALL SPLIT
FACE PANEL



CHARCOAL WATERFALL SPLIT
FACE PANEL

CERAMIC CORNER TILES



NAVARRA



ANDALUSIA



ZAMORA



LUCENA



SANTIAGO



SORIA

CERAMIC TILES



NAVARRA



ANDALUSIA



ZAMORA



LUCENA



SANTIAGO



SORIA



HIGHLAND RED



ICED GREY



URBAN DUSK



STEEL GREY

FARMHOUSE HEARTHS

Inspired by country style decor and living, this textured limestone with its appearance of slate is warm and cosy in appearance but strong and robust in character. Honed with chiselled edges, it is blue grey in colour and looks rustic and antique in appearance. Strive to create something a little more interesting! When it comes to the layout of your hearth, you can get much more striking design with these modular multi sized pieces enabling you to produce a modular design to your specifications. With a variety of different size options for front and back hearths to suit most fireplace requirements, it's a fantastic alternative to traditional granite or slate.

All Farmhouse products are sold as individual components. Your retailer will be able to advise what best suits your requirements.



EXAMPLES OF HOW COMPONENTS FIT TOGETHER



CERAMIC HEARTH TILES



HIGHLAND RED



URBAN DUSK



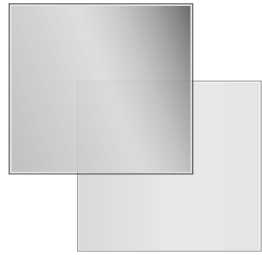
ICED GREY



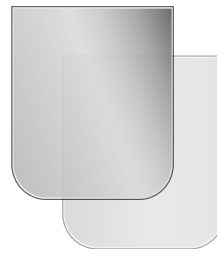
STEEL GREY

GLASS & GRANITE HEARTHHS

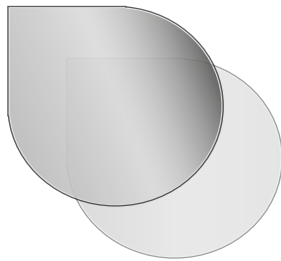
We offer a variety of hearths in many shapes and sizes which are suitable for use with all fuel types. With such a varied range, we make it easy for you to create a truly unique fireplace. Please consult with your nearest Penman Collection retailer to determine the correct hearth specification for you.



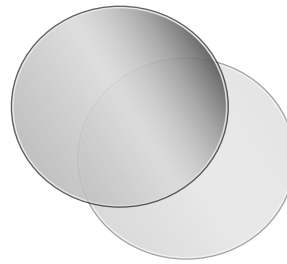
SQUARE



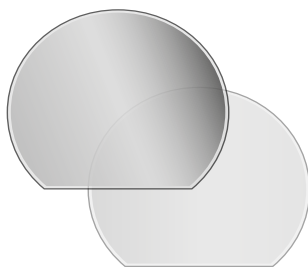
SEMI CIRCLE



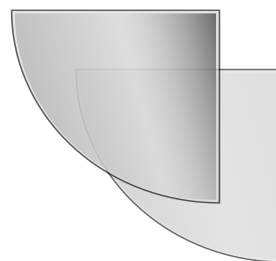
TEARDROP



CIRCULAR*



TRUNCATED



QUADRANT*

*AVAILABLE IN GLASS ONLY



HIGHLAND RED TILED HEARTH



URBAN DUSK TILED HEARTH



ICED GREY TILED HEARTH



STEEL GREY TILED HEARTH



PORTUGUESE LIMESTONE HEARTH



MEYSTONE HEARTH



GRAPHITE/CHARCOAL SLATE TILE HEARTH



NATURAL SLATE HEARTH



PORCELAIN BLACK SLATE TILE HEARTH



GRANITE HEARTH



TAPESTRY TILED HEARTH



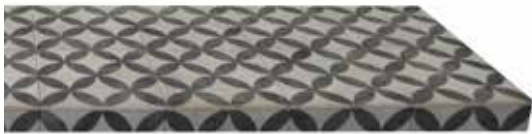
HARLEQUIN TILED HEARTH



DIAMOND QUARRY BLACK/WHITE HEARTH



DIAMOND QUARRY BLACK/RED HEARTH



STAR TILED HEARTH



CUBE TILED HEARTH



ANTHRACITE HEARTH



LIGHT GREY HEARTH

A close-up, diagonal view of a wooden beam. The wood grain is highly detailed, showing natural knots and wavy patterns. The lighting is soft, highlighting the texture and depth of the wood. The background is a solid, muted blue-grey color.

BEAMS

We offer a selection of fireplace beams made from either natural or man-made materials. The realistic oak effect fireplace beams now look even more realistic than ever before and are available in various finishes and sizes. Our light and dark oak geocast beams are also available with or without downlights. They are lightweight and moulded from three separate natural oak beams. The material is composed of natural inorganic minerals which is non-toxic and unburnable offering many advantages over wooden beams.



48" DARK OAK TIMBER EFFECT BEAM



48" GREY OAK TIMBER EFFECT BEAM



48" LIGHT OAK TIMBER EFFECT BEAM



48" & 54" RUSTIC DARK OAK



48" & 54" RUSTIC NATURAL OAK



48" HERITAGE BEAM



42", 48" & 54" DARK GEOCAST OAK BEAM



42", 48" & 54" LIGHT GEOCAST OAK BEAM



48" & 54" CONTEMPORARY BEAM



48" STONE BEAM



48" & 54" DARK GEOCAST OAK BEAM WITH LIGHTS



48" & 54" LIGHT GEOCAST OAK BEAM WITH LIGHTS



SMALL DECORATIVE BEAM BRACKET



LARGE DECORATIVE BEAM BRACKET

TECHNICAL INFORMATION

| REVISED | |
|---------|------|
| No. | Date |
| | |
| | |
| | |
| | |
| | |

ALL DIMENSIONS
UNLESS OTHERWISE
SPECIFIED

APPROVED:

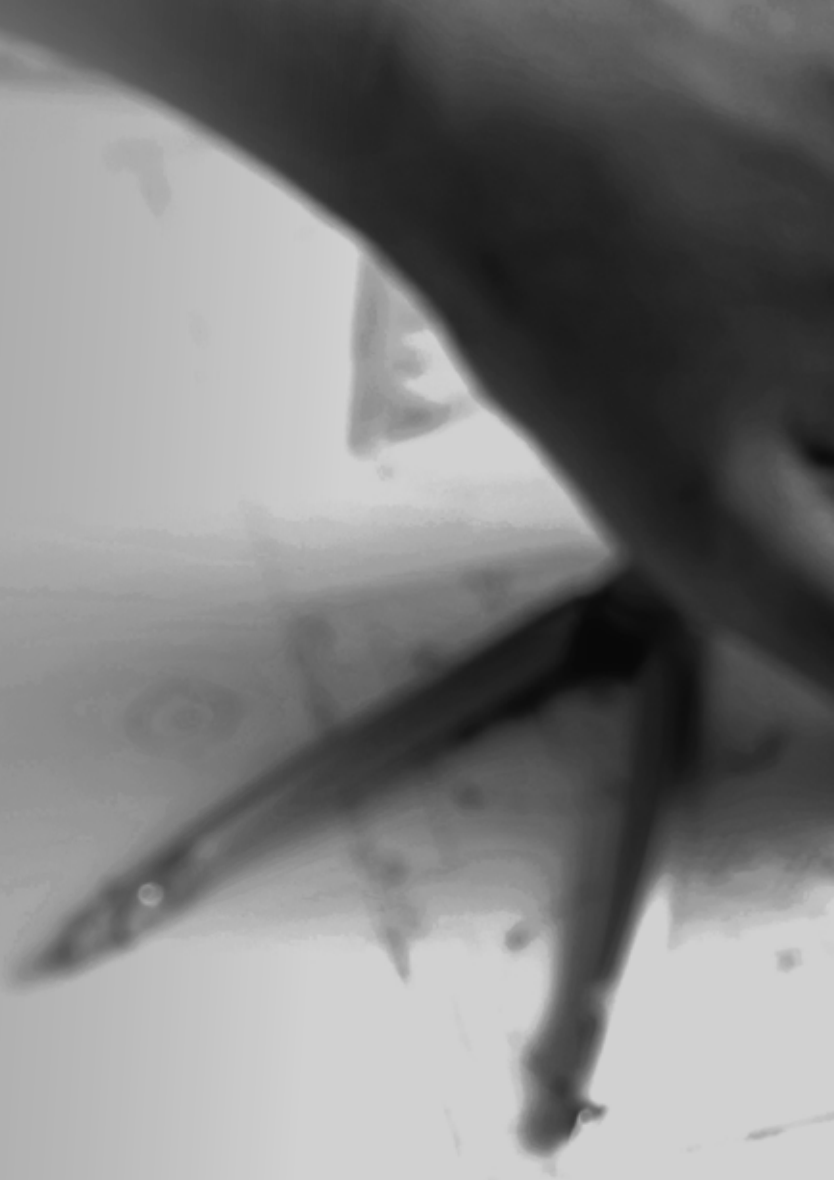
CHECKED:

BY: ENG

DATE:

SCALE:

PROJECT:





CHIMNEY TYPES

Once you have chosen your perfect fireplace it's time to decide on what type of fire best suits your needs. The first thing to do before making your decision is establish your chimney type. Your type of chimney will determine which fires are suitable for your particular application. The table below details each of our fires, their respective fuel sources and chimney type compatibilities.



CLASS 1

Commonly in older houses, earlier than 1960. The Class 1 chimney is identifiable by 7" (180mm) or greater diameter flue. The existing chimney must be structurally sound, please check before the installation of a new fireplace.



CLASS 2

Either an older house where the existing chimney has been lined by a proprietary steel flue or a newer house with a steel flue built in. This chimney type is identifiable by a 5" (130 mm) diameter flue and a steel flue terminal.



PRE-CAST FLUE

Modern houses generally later than 1960 often have a pre-cast concrete chimney system, identifiable by a rectangular box section flue and a terminal, as illustrated in the picture.



NO CHIMNEY

Modern houses often have no chimney. You can use a modern decorative electric fire, either with no heat for aesthetics or an efficient fire with up to 2kW heat output.

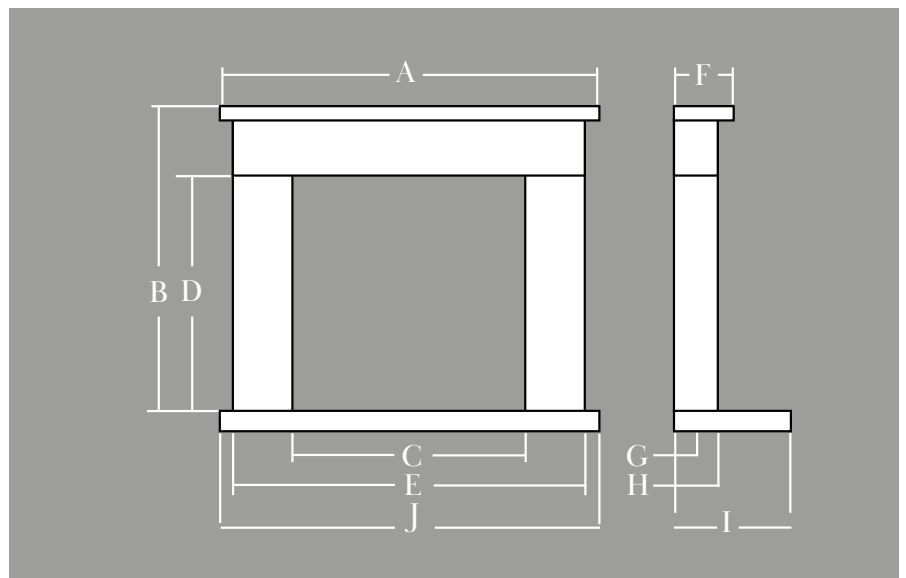
| FIRE TYPE | CLASS 1 CHIMNEY | CLASS 2 CHIMNEY | PRE CAST | NATURAL GAS | LPG | NO CHIMNEY REQUIRED |
|-----------------------------------|-----------------|-----------------|----------|-------------|-----|---------------------|
| FULL DEPTH HE GLASS FRONTED INSET | ✓ | ✓ | ✓ | ✓ | × | × |
| FULL DEPTH OPEN FRONTED INSET | ✓ | ✓ | ✓ | ✓ | ✓ | × |
| SLIMLINE OPEN FRONTED INSET | ✓ | ✓ | ✓ | ✓ | ✓ | × |
| DECORATIVE GAS FIRE | ✓ | × | × | ✓ | ✓ | × |
| ELECTRIC INSET | ✓ | ✓ | ✓ | N/A | N/A | ✓* |
| GAS BASKETS | ✓ | ✓** | × | ✓ | ✓ | × |
| ELECTRIC BASKETS | ✓ | ✓ | ✓ | ✓ | N/A | ✓ |
| GAS STOVES | ✓ | ✓ | ✓*** | ✓ | ✓ | ✓**** |
| SOLID FUEL STOVES | ✓ | × | × | N/A | N/A | ✓***** |

- * No opening in the wall required for installation
- ** Under 6.9kw only
- *** Specific Gas stoves only please see details of appliance
- **** Selected products available in balanced flue options
- ***** Can be installed to a twin wall flue system

Please note, this information is provided as a guide. Please check the appliance instructions for details of the installation requirements.

MANTEL INFORMATION

| PRODUCT | A | B | C | D | E | F | G | H | I | J |
|---------------------------|------|------|-----|-----|------|------|----|---|-----|------|
| FIREPLACES/MANTELS | | | | | | | | | | |
| ALLORA | 1295 | 1095 | 915 | 905 | 1295 | 135 | 75 | 125 | × | × |
| ARLINGTON | 1312 | 1110 | 914 | 912 | 1312 | 160 | 75 | 165 | × | × |
| AVELLINO | 1460 | 1325 | 915 | 915 | 1295 | 207 | 75 | 136 | × | × |
| AVERSA | 1475 | 1235 | 915 | 915 | 1305 | 200 | 75 | 135 | × | × |
| AVERSA 51" | 1310 | 1130 | 830 | 850 | 1170 | 190 | 75 | 135 | × | × |
| BEAUFORT | 1460 | 1215 | 860 | 785 | 1310 | 270 | 40 | 140 BOTTOM OF LEG 180 TOP OF LEG | 380 | 1460 |
| BROOKSBY | 1315 | 1115 | 900 | 900 | 1315 | 135 | 75 | 207.5 | × | × |
| CORTESE | 1466 | 1295 | 915 | 913 | 1325 | 223 | 75 | 155 | × | × |
| DELAMERE | 1370 | 1140 | 740 | 860 | 1200 | 2200 | 75 | 150 | 400 | 1370 |
| HADLEY | 1444 | 1324 | 914 | 914 | 1294 | 325 | 75 | 152 | × | × |
| MILBROOKE | 1389 | 1227 | 914 | 914 | 1274 | 220 | 75 | 135 | × | × |
| MONZA | 1385 | 1165 | 915 | 915 | 1315 | 180 | 75 | 145 | × | × |
| NEW HAVEN | 1220 | 1045 | 750 | 760 | 1150 | 180 | 75 | 145 | × | × |
| PALMERSTON | 1372 | 1270 | 915 | 915 | 1220 | 260 | 75 | 140 | × | × |
| TAVIRA | 1460 | 1205 | 910 | 900 | 1300 | 315 | 75 | 122 | 400 | 1460 |
| TERAMO | 1445 | 1300 | 915 | 915 | 1325 | 235 | 75 | 115 BOTTOM OF LEG 210 TOP OF LEG | × | × |
| VELLETRI | 1435 | 1165 | 915 | 915 | 1315 | 200 | 75 | 160 | × | × |
| VELLETRI 51" | 1295 | 1115 | 840 | 880 | 1150 | 210 | 75 | 160 | × | × |



INSERTS, FASCIAS & COMBINATIONS

| INSERT | DIAGRAM REFERENCE | FINISH | | | | GAS | | | | | | | | | | | | | | | |
|--------------------------|-------------------|--------|-----------|----------|-------------|------|------|-----|-----|-----|-----|-----|------|--------------------|-------------------|-----|--------|--------|---------|----------|---------------|
| | | BLACK | HIGHLIGHT | POLISHED | TRADITIONAL | A | B | C | D | E | F | G | H | CASTBACK AVAILABLE | FOR STANDARD BACK | | CLASS1 | CLASS2 | PRECAST | ELECTRIC | BALANCED FLUE |
| | | | | | | | | | | | | | | | I | J | | | | | |
| ARCHED INSERTS | | | | | | | | | | | | | | | | | | | | | |
| ARDEN*† | B&C | ✓ | ✓ | × | × | 940 | 940 | 445 | 660 | 785 | 825 | 275 | × | ✓ | 620 | 725 | ✓ | ✓ | × | ✓ | × |
| FALKIRK† | B&C | ✓ | ✓ | × | × | 940 | 936 | 430 | 660 | 810 | 835 | 275 | × | ✓ | 560 | 720 | ✓ | ✓ | × | ✓ | × |
| OPUS† | B&C | ✓ | ✓ | ✓ | × | 940 | 940 | 430 | 660 | 835 | 855 | 240 | × | ✓ | 560 | 720 | ✓ | ✓ | × | ✓ | × |
| HIGHER PERFORMING | | | | | | | | | | | | | | | | | | | | | |
| STIRLING HP | B | × | ✓ | ✓ | × | 940 | 940 | 455 | 490 | 800 | 855 | × | × | × | × | × | ✓ | ✓ | ✓ | × | ✓ |
| FALKIRK HP | B | × | ✓ | × | × | 940 | 940 | 455 | 490 | 800 | 855 | × | × | × | × | × | ✓ | ✓ | ✓ | × | ✓ |
| TILED INSERTS | | | | | | | | | | | | | | | | | | | | | |
| DEVONSHIRE† | B&C | ✓ | × | ✓ | × | 940 | 940 | 405 | 560 | 875 | 900 | 275 | × | ✓ | 470 | 615 | ✓ | ✓ | × | ✓ | × |
| COMBINATIONS | | | | | | | | | | | | | | | | | | | | | |
| CATALAN† | A&C | ✓ | × | ✓ | × | 785 | 990 | 345 | 595 | × | × | 160 | 915 | ✓ | 410 | 600 | ✓ | ✓ | × | × | × |
| TRINITY*† | A&C | ✓ | × | ✓ | × | 1040 | 1040 | 445 | 660 | × | × | 210 | 1205 | ✓ | 620 | 725 | ✓ | ✓ | × | ✓ | × |

* Available with deeper back for larger burning area.

† This product is not suitable for primary heating purpose.

Please note, the precast option on the HP is available in slimline options only.

DIAGRAM A

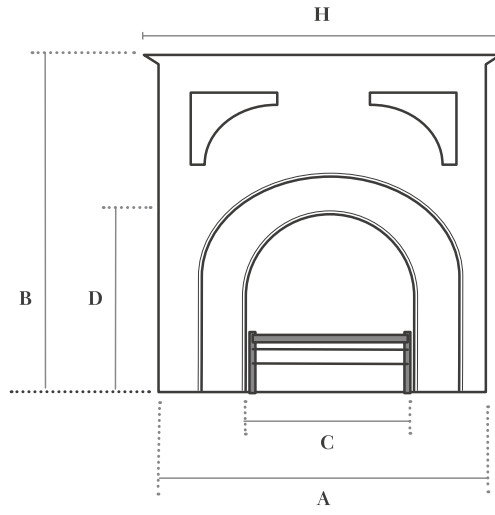


DIAGRAM B

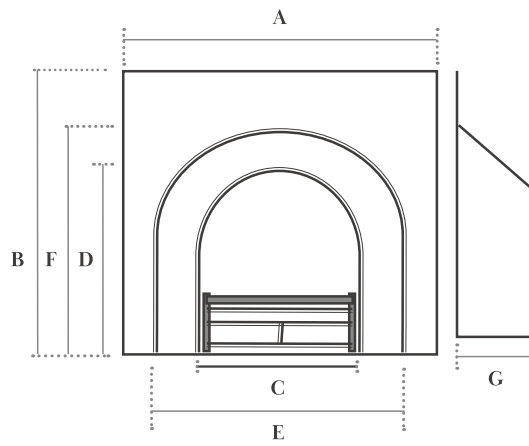
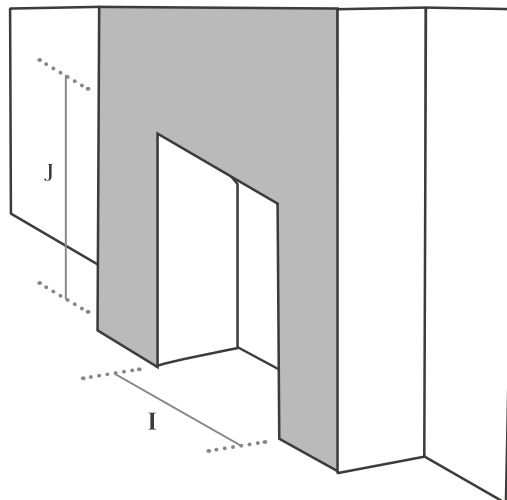
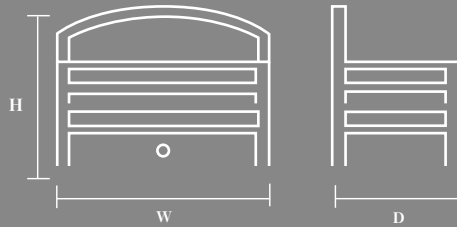


DIAGRAM C



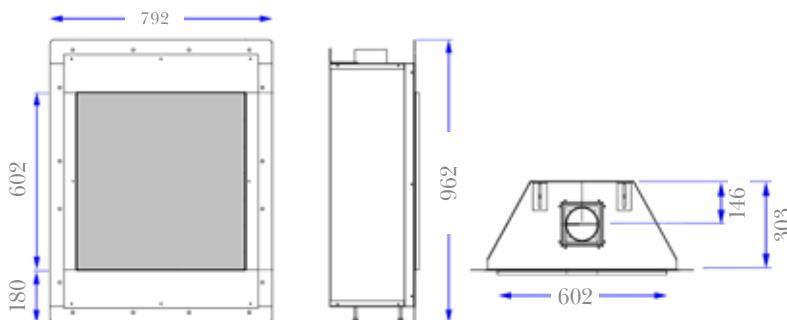
FIRE BASKETS



| BASKET | FINISH | | | | | DIMENSIONS | | | CLASS I | ELECTRIC |
|-------------------------|----------|-------|--------|-----------|---------|------------|-----|-----|---------|----------|
| | POLISHED | BLACK | CHROME | HIGHLIGHT | ANTIQUÉ | W | D | H | | |
| | | | | | | | | | | |
| ELAN NO BACK # † | ✓ | ✓ | × | × | × | 435 | 300 | 220 | ✓ | ✓ |
| ELAN WITH BACK # † | ✓ | ✓ | × | × | × | 435 | 300 | 380 | ✓ | ✓ |
| LIVINGSTONE † | × | × | × | ✓ | ✓ | 590 | 280 | 585 | ✓ | × |
| SEVILLE 16" NO BACK † | × | ✓ | × | × | × | 410 | 585 | 220 | ✓ | ✓ |
| SEVILLE 18" NO BACK # † | × | ✓ | × | × | × | 470 | 325 | 200 | × | ✓ |
| SEVILLE 18" WITH BACK † | × | ✓ | × | × | × | 470 | 300 | 475 | ✓ | ✓ |
| SEVILLE 21" NO BACK † | × | ✓ | × | × | × | 550 | 325 | 220 | ✓ | ✓ |
| SEVILLE 21" WITH BACK † | × | ✓ | × | × | × | 550 | 290 | 505 | ✓ | ✓ |
| VICTORIAN LARGE | × | ✓ | × | ✓ | × | 580 | 400 | 430 | ✓ | × |
| VICTORIAN SMALL | × | ✓ | × | × | × | 508 | 300 | 330 | ✓ | × |

- * Available with deeper back for larger burning area
- # High definition log set available for these baskets
- † This product is not suitable for primary heating purpose.

60CF INFORMATION



STOVE INFORMATION

| STOVE MODEL | LINER SIZE (OD - INCH) | FLUE Ø (OD - MM) | TOP FLUE | REAR FLUE | EFFICIENCY (UP TO) | OUTPUT (UP TO) | FUEL TYPE | ERP |
|----------------------------|------------------------|------------------|----------|-----------|--------------------|----------------|-----------|-----|
| AVEBURY MF | 5 | 125 | ✓ | ✓ | 84% | 2.5-8.0KW† | MULTI* | A+ |
| AVEBURY NAT GAS | 4/5 | 125 | ✓ | × | 79% | 4.9KW | NAT GAS | E |
| AVEBURY LPG | 4/5 | 125 | ✓ | × | 79% | 4.4KW | LPG | E |
| BASSINGTON COMPACT MF | 5 | 125 | ✓ | ✓ | 82.5% | 5.0KW | MULTI* | A+ |
| BASSINGTON COMPACT NAT GAS | 4/5 | 125 | ✓ | × | 81% | 3.8KW | NAT GAS | D |
| BASSINGTON COMPACT LPG | 4/5 | 125 | ✓ | × | 81% | 3.7KW | LPG | D |
| BASSINGTON E | N/A | N/A | N/A | N/A | 100% | 0.9-1.8KW | ELECTRIC | N/A |
| BASSINGTON ECO MF | 5 | 125 | ✓ | ✓ | 84% | 2.5-8.0KW† | MULTI* | A+ |
| BASSINGTON NAT GAS | 4/5 | 125 | ✓ | × | 79% | 4.9KW | NAT GAS | E |
| BASSINGTON LPG | 4/5 | 125 | ✓ | × | 79% | 4.4KW | LPG | E |
| KIRKHAM MF | 5 | 125 | ✓ | ✓ | 82.5% | 5.0KW | MULTI* | A+ |
| KIRKHAM ECO MAX | 5 | 125 | ✓ | × | 86% | 5KW | MULTI* | A+ |
| KIRKHAM NAT GAS | 4/5 | 125 | ✓ | × | 81% | 3.8KW | NAT GAS | D |
| KIRKHAM LPG | 4/5 | 125 | ✓ | × | 81% | 3.7KW | LPG | D |
| AURUS | 5 | 125 | ✓ | ✓ | 82% | 5.0KW | WOOD | A+ |
| KASSEL | 5 | 125 | ✓ | ✓ | 80.5% | 5.0KW | WOOD | A+ |
| LÜNEN | 5 | 125 | ✓ | ✓ | 82% | 5.0KW | WOOD | A+ |
| PANAMERA | 5 | 125 | ✓ | ✓ | 84% | 4.8KW | MULTI* | A |
| SAVONA INSET | 5 | 125 | ✓ | × | 85% | 4.8KW | MULTI* | A+ |
| VEGA B7 NAT GAS | 4^ | 100/150# | ✓ | × | 75% | 5.4KW | NAT GAS | B |
| VEGA B7 LPG | 4^ | 100/150# | ✓ | × | 68% | 5.2KW | LPG | B |
| VEGA C7 NAT GAS | 4 | 125 | ✓ | × | 65% | 4.53KW | NAT GAS | D |
| VEGA C7 LPG | 4 | 125 | ✓ | × | 68.6% | 4.7KW | LPG | D |
| VEGA EDGE 200SL/W | 5 | 125 | ✓ | ✓ | 84% | 2.5-8.0KW† | MULTI* | A+ |

Due to manufacturing processes, all measurements are approximate but may vary slightly. Please allow for a tolerance of plus or minus 12mm. It is essential that your stove is installed in accordance with Building Regulations and any other standard requirements by a competent person with experience in fitting fireplaces - your retailer will be able to help you select an appropriately qualified installer.

* Only wood and smokeless fuels may be used in smoke controlled areas.

Concentric flue required for balanced flue stoves. See your nearest dealer for more information.

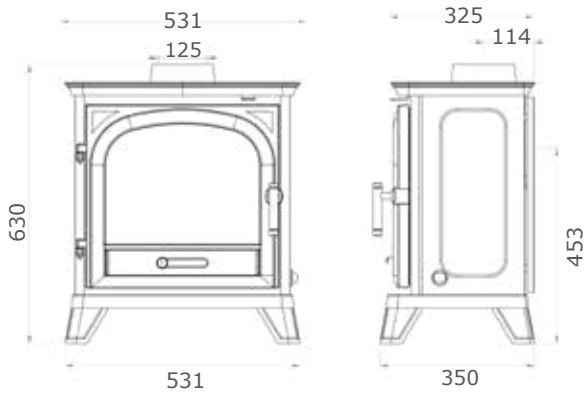
† See stove output range below

^ If fitted with renovation kit

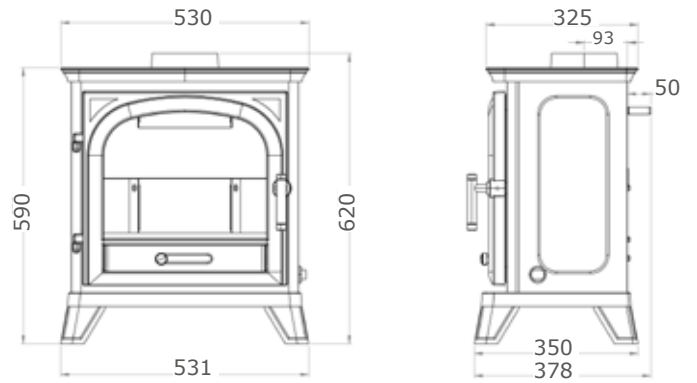
†* A range of outputs for this stove has been quoted. The stove is tested and approved at 5kW at an independent laboratory. It is possible to burn the stove at outputs within the range specified. If it is intended to burn this stove at outputs over 5kW, then permanent external ventilation is required in accordance with Document J of the Building Regulations – please seek guidance from your retailer.

STOVE DIMENSIONS

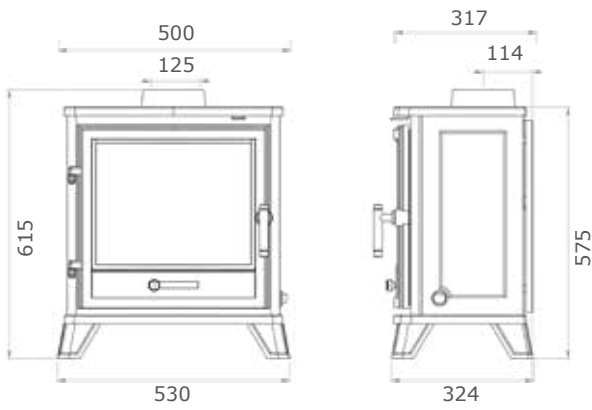
AVEBURY



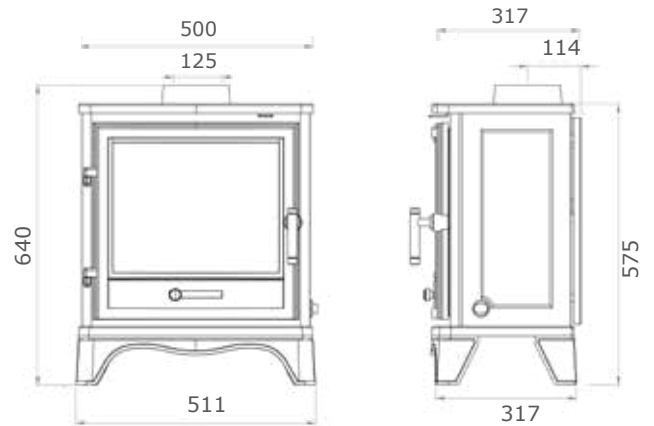
AVEBURY GAS



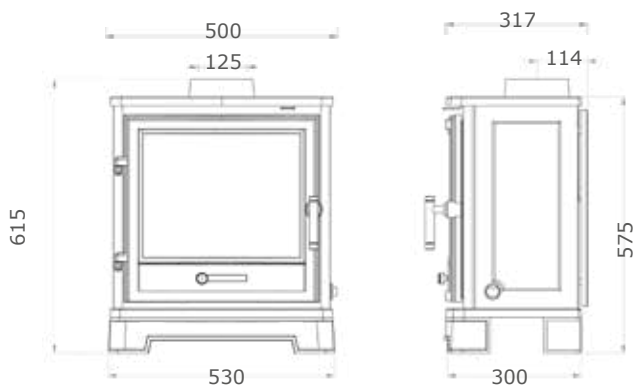
BASSINGTON STANDARD LEG (MULTIFUEL/GAS)



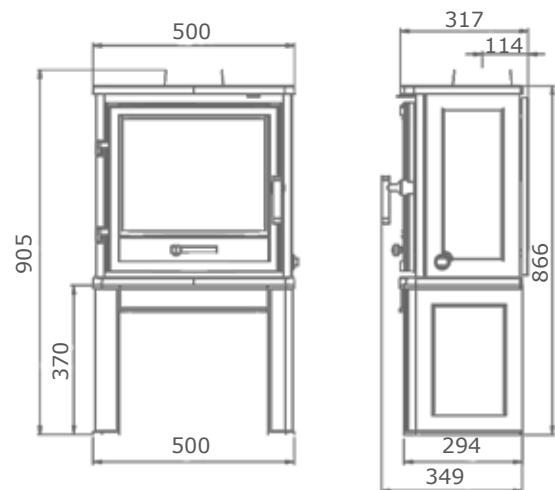
BASSINGTON SKIRTED LEG (MULTIFUEL/GAS)



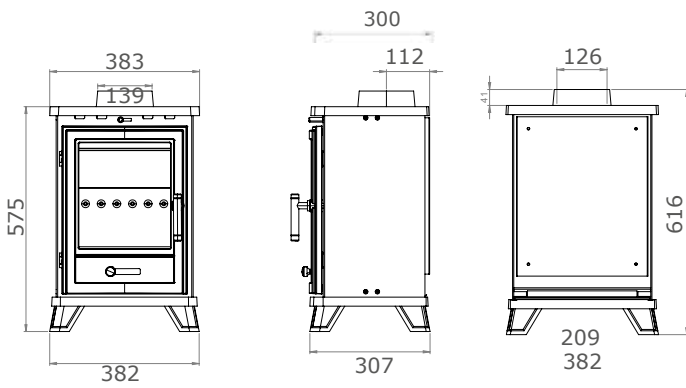
BASSINGTON BASELINE LEG (MULTIFUEL/GAS)



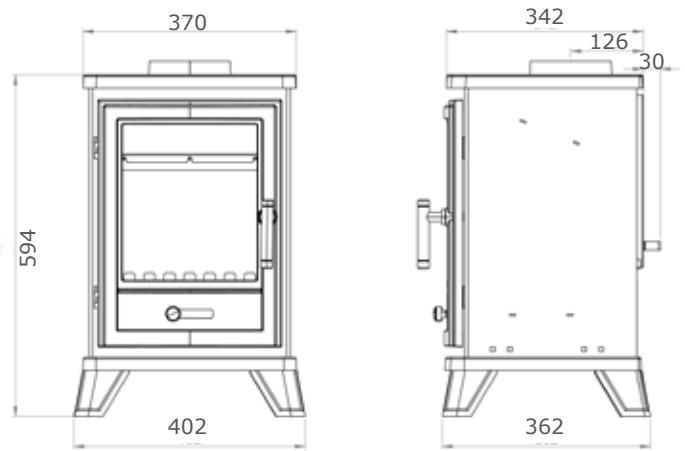
BASSINGTON (GRANDE LEG)



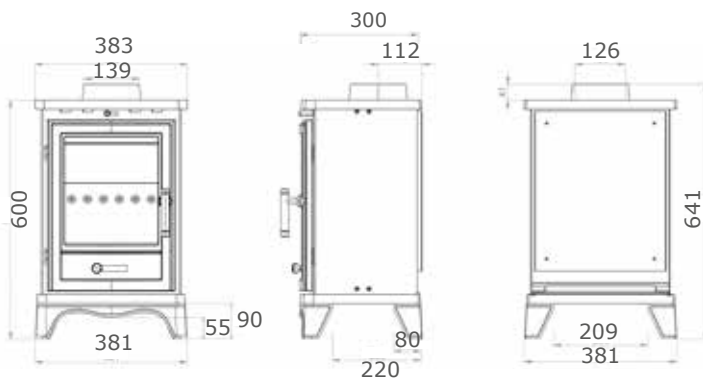
BASSINGTON COMPACT MULTIFUEL STANDARD LEG



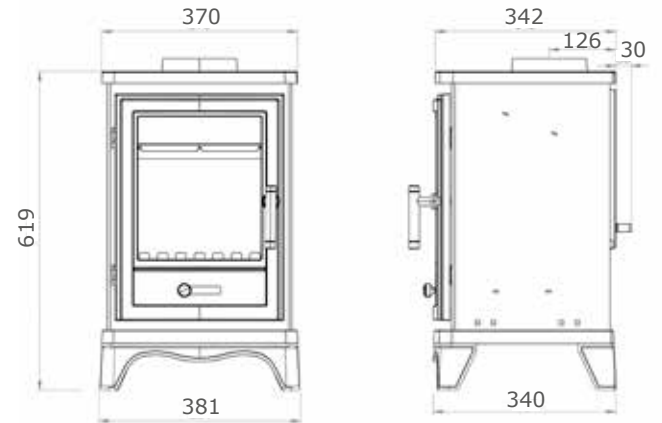
BASSINGTON COMPACT GAS STANDARD LEG



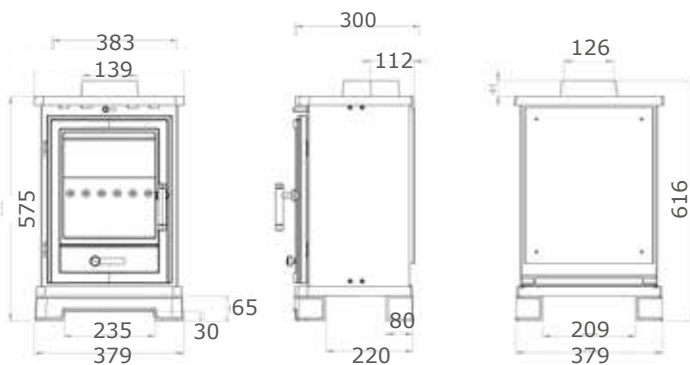
BASSINGTON COMPACT MULTIFUEL SKIRTED LEG



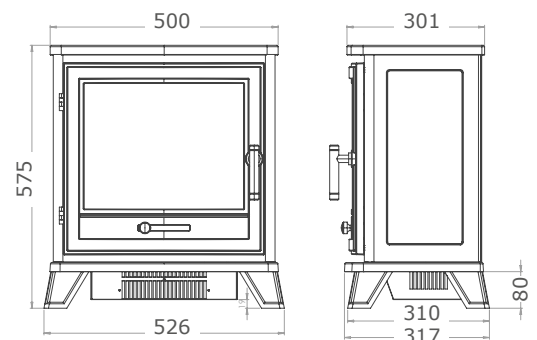
BASSINGTON COMPACT GAS SKIRTED LEG



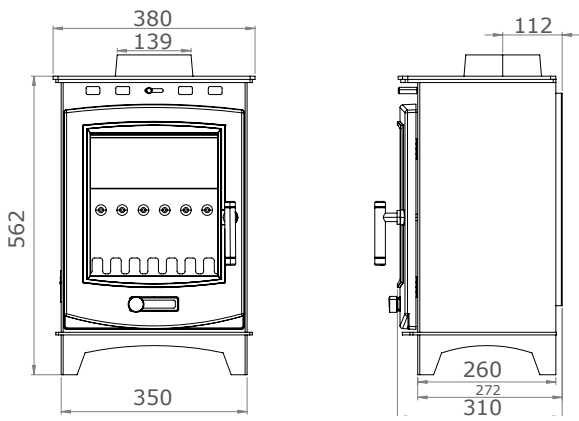
BASSINGTON COMPACT MULTIFUEL BASELINE LEG



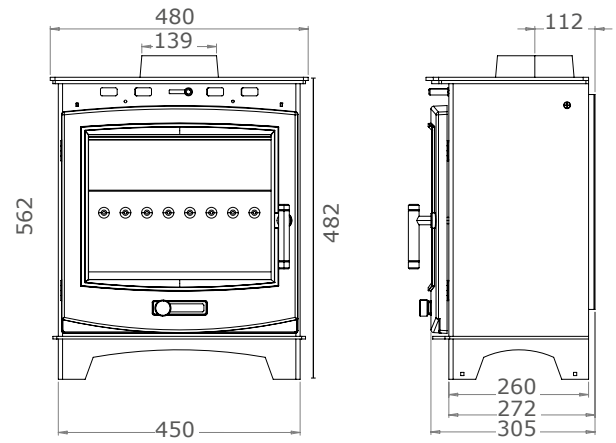
BASSINGTON E



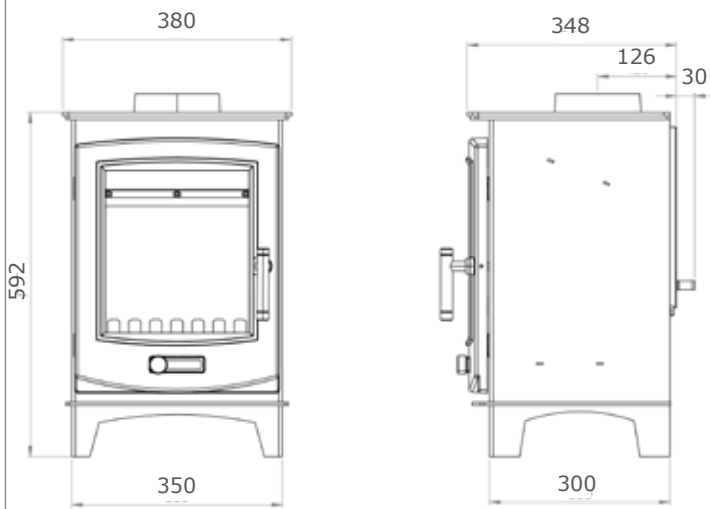
KIRKHAM



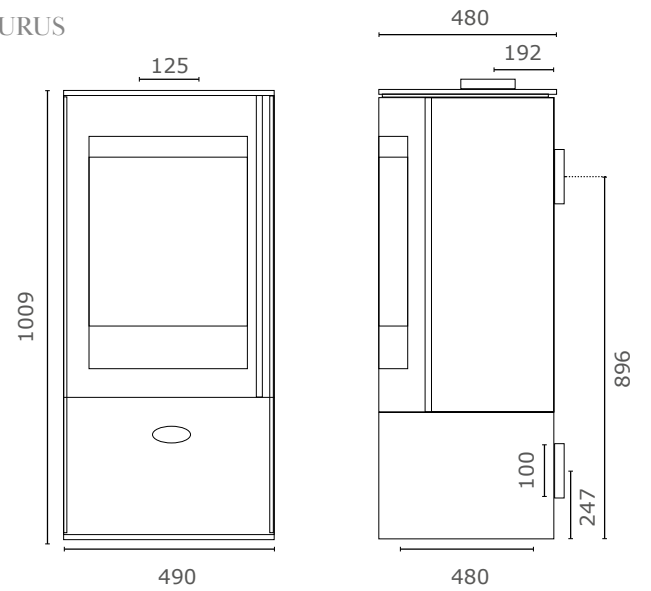
KIRKHAM ECO MAX



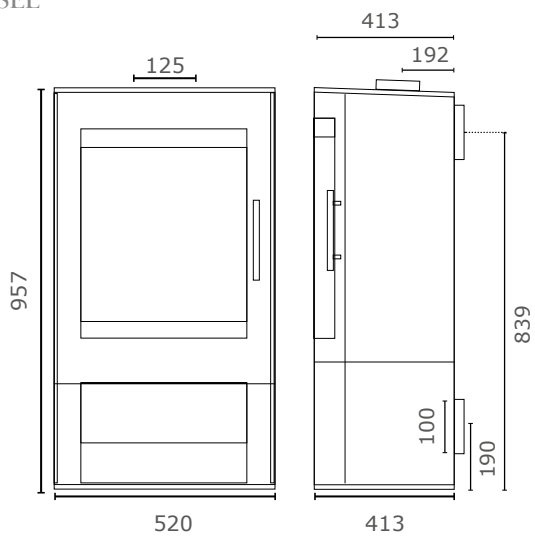
KIRKHAM GAS



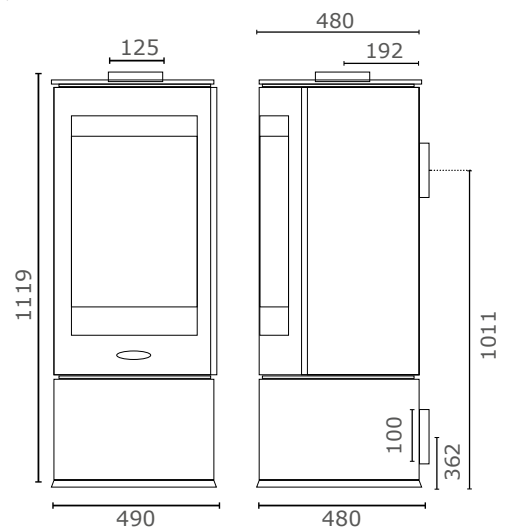
AURUS



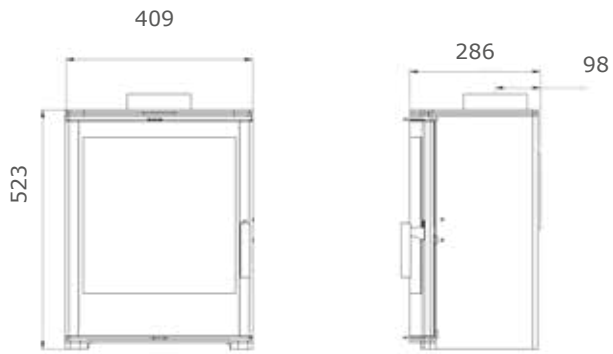
KASSEL



LÜNEN



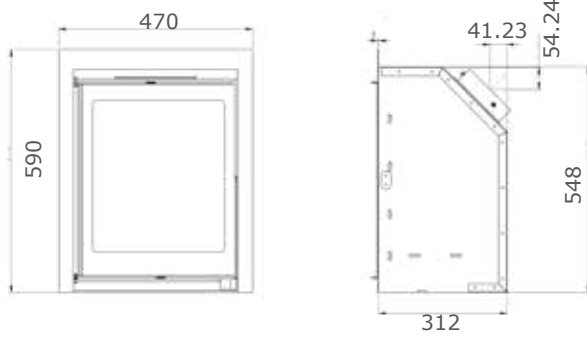
PANAMERA



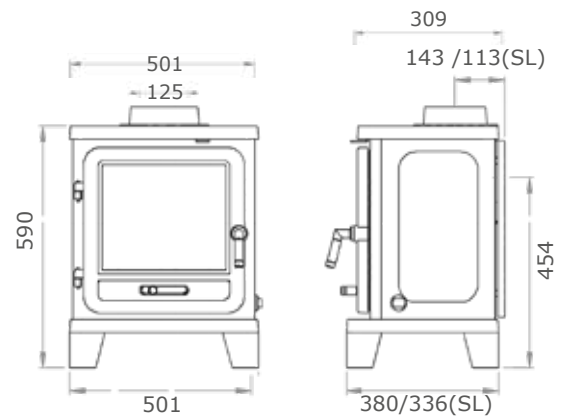
PANAMERA SUPREME (LOGSTORE)



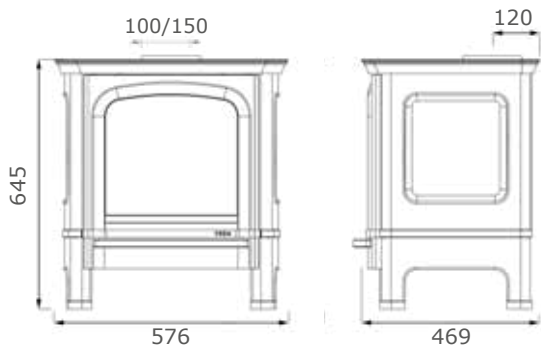
SAVONA INSET



VEGA EDGE 200SL / 200SLW



VEGA B7 / C7



AFTERCARE & MAINTENANCE



CAST IRON

All the cast iron products are delivered with a protective, oil-based coating on polished surfaces. This should be cleaned off during the installation. It is recommended that a spray-type oil is applied from time to time in order to avoid surface rust appearing. Ensure that the room in which the cast iron product is being installed is thoroughly dry. For example recently plastered walls cause high levels of moisture in the atmosphere and, as a result, rust is likely to occur. Under no circumstances should a water-based cleaner or polish be used to clean cast iron products.

It is your responsibility to burn smoke free fuels if you live in a smoke free zone. There are some very high temperature burning fuels which can cause damage to any fireplace. Please refer to the Solid Fuel Association (www.solidfuel.co.uk) recommendations and use an approved coal merchant as your supplier.

No responsibility can be accepted if high temperature fuels have been used or if there is excessive draft. If in doubt we recommend the use of a clay fire back. Clean ash away regularly as a build up beneath the fire will cause the grate to burn out quickly. The grate is a consumable part of your fire and will need replacement from time to time, depending on the frequency and burning temperature of your fires.

CERAMIC FUEL BEDS

When using ceramic fuel beds, ensure that these do not touch any of the polished surfaces in order to minimise the risk of thermal discolouration. The ceramic black and graphite products are coated with a high temperature paint and during their natural burning lifecycle eventually the paint can burn off, exposing the raw material. To restore the finish a proprietary, high temperature paint can be used to re-coat the product and this paint is available from your local retailer.

MARBLE

Marble & Micro Marble has a surface that is extremely durable however liquids which have a strong acidic content for example citrus juices may attack and discolour the surface therefore care must be taken with any spillages of this nature. In order to maintain its subtle shine and appearance, occasionally spray with a general household polish and buff with a soft dry cloth. Do not use any bleach or abrasive cleaning agents, as these could damage the surface or dull the appearance of the material.

LIMESTONE

Limestone is a naturally porous sedimentary rock, therefore it is important not to spill any liquid types especially liquids of colour as these can often leave a prominent stain. In the event of a spillage, our best advice would be to contact our technical team for guidance. In the event of any damage occurring by way of a chip or a minor scratch then a fine wet and dry sand paper can be applied with care in order to achieve the best results.

Limestone products, once installed and dry should be cleaned and sealed where necessary using Gallery Collection aftercare products. Your installer should carry out the initial sealing where applicable.

The stone mantels pictured are manufactured from 100% natural material. As such the mantel you will purchase will be unique due to the inevitable variations in fossil formation, veining and colour. This is one of the great attractions of 100% pure natural products. Please be aware that small fossils and variations in the limestone are part and parcel.

GRANITE

Marble and granite hearths are a beautiful investment and as such require regular maintenance and care to continue looking its best. Care must be taken when lighting candles to avoid spilling wax on the surface and the hearth must be protected when placing tea lights. Our best advice is to clean up any spillages as soon as they happen, as the porous surface of a granite or marble can mean that stains can happen quickly, therefore it's important to remember to soak up a spill with a clean dry cloth or sponge whenever they happen. By wiping the surface down with a warm damp cloth and then use a soft dry cloth to buff to a shine depending on the finish, when you're tidying your home, will enable you to keep it looking pristine.

CLEANING

When cleaning the outer body of your gas/wood burning or multifuel stove, we do not recommend the use of any sprayed cleaning products, including water. We also do not recommend the use of a wet/damp cloth or rag to wipe away dust or ash, as this can also cause small areas of corrosion and rusting formations. Care should also be taken not to have any overspray on the body of the stove, when cleaning the glass with any spray glass cleaner product. Unfortunately, rust and corrosion can sometimes happen when the stove is not used frequently, continuously exposed to water, moisture and oxygen combined. In all instances this natural process of oxidation can occur with all ferrous metal stoves. When dusting and removing settlements of ash, we would only recommend the use of a soft bristle brush, or a dry microfibre cloth is used to keep the stove looking in the best possible condition. If marks are left from deposits of ash, then the gallery black grate polish can be applied to restore the area to its natural state.

GENERAL

All the gas fires we supply are tested in accordance with CE requirements and are CE marked. Due to the manufacturing processes all measurements are approximate and may vary slightly so allow for a tolerance of plus or minus 12mm.

In order to achieve some of the colour options, we plate the products using a variety of manufacturing processes. When we state that a product is "Antique Brass finish" or "Chrome finish" there is no intention to mislead. The products are not brass or chrome respectively, they are simply plated to give that effect.

The colours shown in the brochures are as accurate as possible, but if the colour you require is critical then please consult your retailer before basing all your decisions on the colours shown here.

Your home may have a chimney type which will allow you to choose any of the fireplaces shown in the brochures. However, please consult the selection charts in the brochures and if you are not clear please consult your HETAS or GAS SAFE REGISTER (Board Gais in ROI) registered installer or your retailer.

In the unlikely event that there is a defect in any of the products shown in this brochure, then a replacement will be supplied without hesitation. Of course, this requires the products to be fully inspected prior to installation as no responsibility for re-fitting or redecoration can be accepted if defective products have been installed. In this case and in the case of accidental damage after installation, in-situ repairs can be made by specialists, subject to prior agreement of terms with your retailer.

Please also note that shading and crazing are characteristics of the glazed tiles used in tiled inserts and tiled hearths.

There are occasions when designs, or products are altered or discontinued without prior notice (a reserved right), so if you are about to set your heart on a particular fireplace, please consult your retailer before making that final commitment.

ADVICE BEFORE YOU COMMIT TO THE INSTALLATION OF YOUR PENMAN COLLECTION FIREPLACE.

BROCHURE PHOTOGRAPHY

All the images throughout this brochure are for illustrative purposes only. The colours shown in the brochure are as accurate as possible, however some natural materials may vary due to the nature of the products. Some room sets may appear not to comply with the requirements of the latest building regulations, we would always advise that you check your proposal with your approved fitter before proceeding with any project.

DISCLAIMER

The brochure was correct at the time of printing, we reserve the right to change or withdraw details, prices or specifications without prior notice. Every effort has been made to ensure the accuracy of information in this brochure. All dimensions are given for your convenience and should only be used as a guide. Colour reproduction is as accurate as current printing methods allow. We cannot be held responsible for changes or matters outside our control.





INSTALLATION

Your Penman fireplace is made up of a number of different components and it is important to ensure that your installer has the necessary qualifications and experience to fit ALL the components of a fireplace.

All Penman appliances are supplied with detailed, comprehensive installation and user instructions. All installations must be in accordance with the manufacturer's instructions, current building regulations and subsequent British standards. The installation should only be carried out by a qualified competent persons. For all gas appliances, a Gas Safe registered engineer and for solid fuel, a HETAS registered engineer. Failure to comply with these requirements may render the appliance unsafe in the first instance, impede on the efficiency and serviceability of your appliance and ultimately invalidate any warranty.

All installers in order to satisfy the terms and conditions of our warranty must be registered with the appropriate regulating bodies as deemed by Percy Doughty. All gas installers within the UK must be registered with the Gas Safe Register. In the Republic of Ireland the Board Gais and for solid fuel installations all installers must be registered with HETAS and for Scotland be compliant with the current Technical Handbook – Domestic.

It is important that you retain all documentation following the installation as this will be required in order to activate the warranty if needed. The documentation should be supplied by building control following successful registration of each installation by the installer, for both gas and solid fuel appliances together with any commissioning certificates, benchmarks and service records completed in the rear of the installation manual. It would be the responsibility of the installer to provide all the necessary information, however in some circumstances where documentation is absent then communications with your local building control officer may be beneficial, for solid fuel installations only.

When installing any Granite, Slate or Limestone hearth please ensure the area is flat and free from debris and dust, preferably to be situated on a concrete sub hearth. We would also recommend that the under surface only is primed/ sealed with a suitable PVA glue or equivalent and left to dry sufficiently, prior to bedding down. The hearth would then need to be bedded down on a strong sand and cement bed with a medium consistency, taking into account the need to fill any voids, spaces and support points to accommodate the safe functioning of the whole installation when completed. We would also advise that when installing the mantel, always prime and seal the under surface that will come into contact with any adhesive or water based mixes. Failure to adhere to the advice given may result in moisture patches appearing that may stain and damage the material, these effects may be irreversible and render the installation unfit for purpose.

Marble is not suitable for solid fuel applications. The colours shown in this brochure are as accurate as possible. If the colour you require is critical then please consult your retailer before making your decision.

When you are identifying your chimney please see page 136 in the brochure. If you are not clear please consult your HETAS or Gas Safe Registered (Board Gais in Republic of Ireland) installer or your approved stockist.

Gas fires within The Penman Collection with a gas input of 6.9kW or less do not normally require additional ventilation, however there are some circumstances where additional ventilation may be required. This would be determined by your installer when completing a survey before installation. For appliances with an input of 6.9kw or over, please ask your retailer for further information on the additional ventilation requirements.

When fitting a decorative gas fire within a basket the manufactures instructions and current British standard BS 5871 Part 3, must be followed, and in doing so a risk assessment must be completed by the installer to ensure that a sufficient gap is provided around the basket when placed inside the builders opening or purpose built fire chamber. This is essential for the adequate service and future maintenance of the appliance and also allowing for good access to the controls. It is also important for air flow cooling around the appliance basket, which would also allow for the best possible flame picture. It is also an important consideration to ensure the correctly rated materials have been used within the builders opening or purpose built chamber.

Your new gas appliance will require an annual service and maintenance but not limited to, dependent on use. It is a requirement of the warranty that this is carried out by a qualified competent person registered with the appropriate regulatory body as deemed by Percy Doughty. In doing so will help you enjoy many years of trouble free usage of your appliance.

- All cast iron products are manufactured in ISO 9002 accredited manufacturing facilities.
- All the gas fires we supply are tested in accordance with CE requirements and are CE marked.
- All measurements are approximate and may vary slightly so allow for a tolerance of plus or minus 12mm.
- To achieve some of the colour options, we plate the products using a variety of manufacturing processes. "Antique Brass finish" or "Chrome finish" are not brass or chrome.



THE PENMAN
COLLECTION

True Beauty, Effortless Style & Flawless Finish